



Universal Arbor

5/8" dia x 14" long



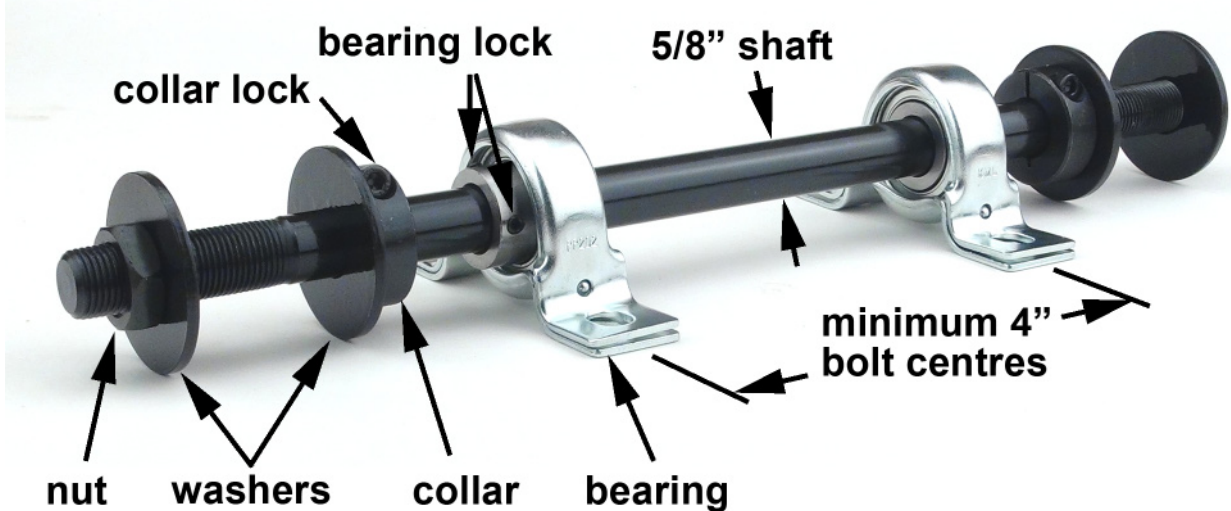
- Carvers will use it to mount profiled strops.
- Wood Turners will mount low RPM sharpening stones and strop wheels for putting a fine edge on their chisels and buffing wheels to create mirror finishes on pens, bowls and goblets.
- Metal Workers will mount grind flap wheels and polishing buffs.
- Mechanics will mount wire wheels for cleaning up parts.
- Intarsia Artists will find it the perfect mount for the Wonder Wheel.

There's a distinct advantage to using a belt driven arbor. With the opportunity to add any pulley combination and motor speed, this arbor can be turned at the optimum RPM for the task. By choosing a stepped pulley set, you can adjust the RPM anytime you like.

Unique to this arbor is the ability to adjust the mounting arbor length by adjusting the position of either collar. This is perfect for fitting extra wide buffs and specially made stropping wheels.

Anti-friction self-aligning ball bearings will last you a lifetime.

For adequate clearance under the driven pulley (not included) and under the wheel areas, make two identical risers blocks and fasten them under the bearings. Don't forget to mount it so the rotation of shaft would tighten the two arbor nuts.



Universal Arbor SPECIFICATIONS				
Dia	Length	Part #	UPC	Min Qty
5/8"	14"	4400-00	885732920136	1 each