



Glider Bearing Kit

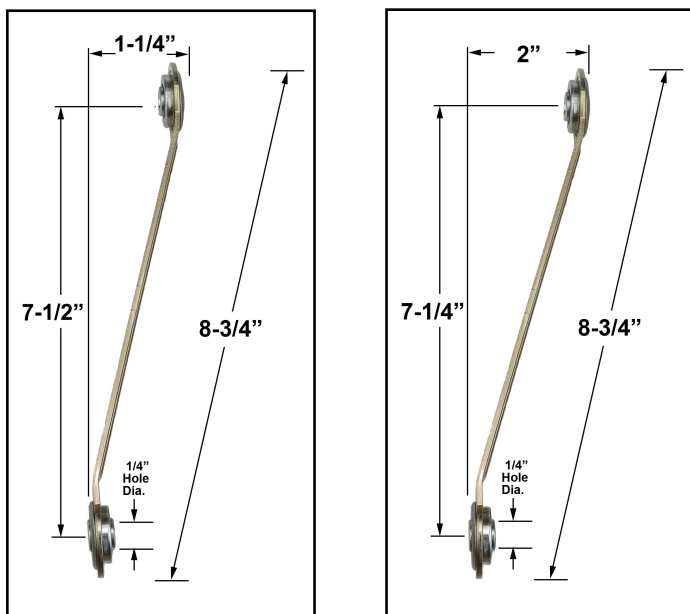
Building a glider rocker is a whole lot easier when you can buy this glider bearing set!

The unique hangers have ball bearings pressed into both ends that will give your glider projects ultra-smooth, back-and-forth action.

Hangers are made from rust resistant steel and are available with two offsets: 2" and 1-1/4".

Need a different offset?
These are easy to bend.

Includes 4 ball bearing hangers needed to complete one glider.



Standard 1/4" bolts of any length slide through the inner bearing bore and fasten to your project.

Bolts not included.

Your next project just got easier!

Glider Bearing Kit SPECIFICATIONS				
Part Number	Size	Pkg Qty	UPC	Min Qty
5YFHGR	1-1/4"	4	885732920408	1 Set
5YFHGR2	2" offset	4	885732920310	1 Set

Specifications subject to change. Visit BlackJackCompany.com for updates.

© BlackJack 2017