

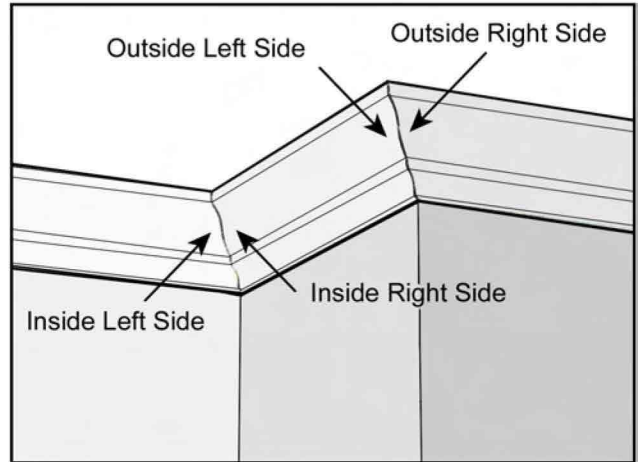


Mitre Compound Jig

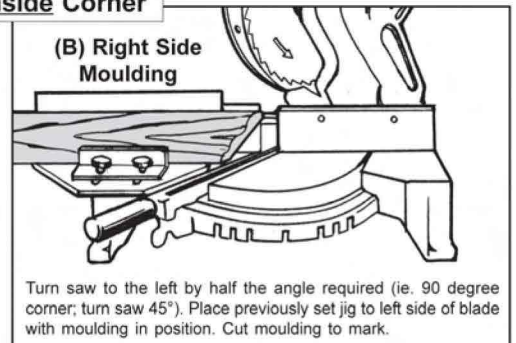
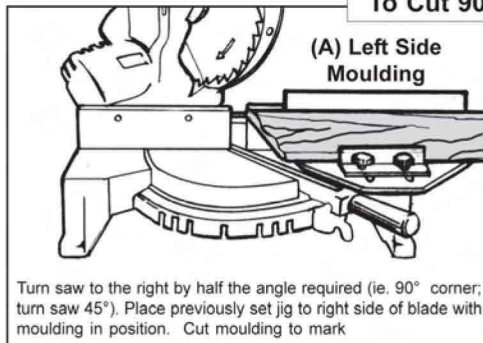
Cutting crown moulding has never been so easy.



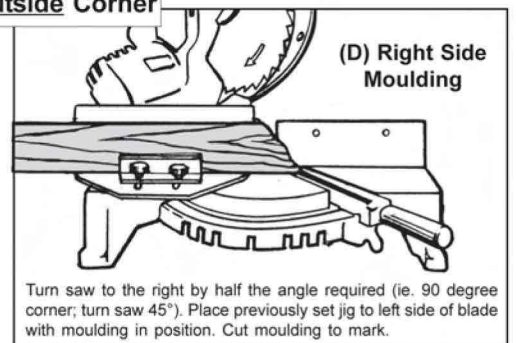
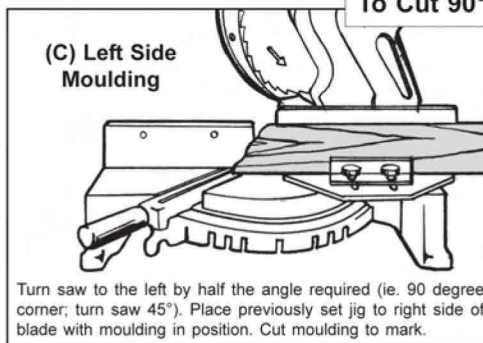
The BlackJack Miter Compound Jig makes cutting crown moulding a snap!



To Cut 90° Inside Corner



To Cut 90° Outside Corner



Cut crown moulding without the confusion of compound miters.

Place moulding onto jig with bottom edge up against the jig back.

Cut.

It's that easy.

Your next project just got easier!

Mitre Compound Jig SPECIFICATIONS

Part Number	UPC	Min Qty	Case Qty
14011	885732140114	1	1

Specifications subject to change. Visit BlackJackCompany.com for updates.

© BlackJack 2015