


# Feature Product

## Specialty European Hinges


No magnets required here... these self-closing hinges keep your doors closed. Six way adjustability helps you hang your doors perfectly. The clip-on mounting feature allows easy door mounting after installing your new cabinets.



**45° Corner**

**FEATURES**

- Frame-less
- 45 Degree
- Corner
- Self Close
- Cam Adjustment
- Mounting Screws not included

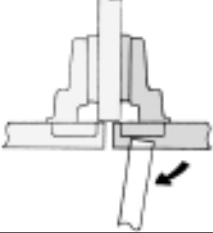



**SPECIFICATIONS**

European Hinge  
Part# 13709  
UPC 885732137091

**APPLICATIONS**

This hinge, with cam adjust mounting plate, is for frame-less cabinets. It's designed for 5/8" panel material and has a 1/8" adjustment range. Corner cabinets with a 45 degree front use this hinge to swing the door.






**90° Blind Corner**

**FEATURES**

- Frame-less
- 90 Degree
- Blind Corner
- Self Close
- Cam Adjustment
- Mounting Screws not included

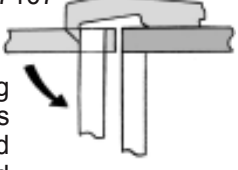



**SPECIFICATIONS**

European Hinge  
Part# 13710  
UPC 885732137107

**APPLICATIONS**

This hinge, with cam adjust mounting plate, is for frame-less cabinets. It's designed for 5/8" panel material and has a 1/8" adjustment range. Blind corner cabinets use this hinge.






**135° Base Corner**

**FEATURES**

- Frame-less
- 135 Degree
- Base Corner
- Self Close
- Cam Adjustment
- Mounting Screws not included

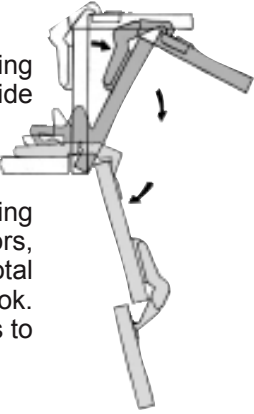



**SPECIFICATIONS**

European Hinge  
Part# 13711  
UPC 885732137114

**APPLICATIONS**

This hinge, with cam adjust mounting plate, connects the 2 doors that hide a pie-cut corner lazy susan. It's designed for 5/8" to 3/4" thick doors and has a 1/8" adjustment range. Instead of using piano hinge to connect the doors, use these for spring closure, total adjustability and a much better look. Note: you need 170 degree hinges to swing the first door on the cabinet.






**170° Full Overlay**

**FEATURES**

- Frame-less
- 170 Degree
- Full Overlay
- Self Close
- Cam Adjustment
- Mounting Screws not included



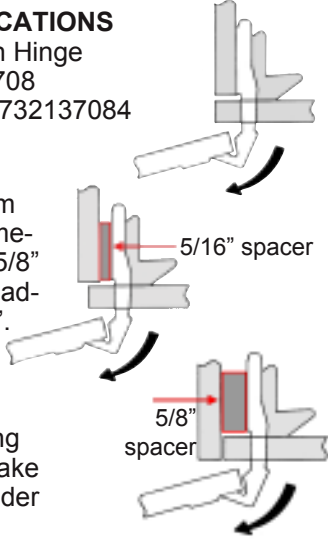
**SPECIFICATIONS**

European Hinge  
Part# 13708  
UPC 885732137084

**APPLICATIONS**

This 170 degree hinge, with cam adjust mounting plate is for frame-less cabinets. It's designed for 5/8" panel material & has an overlay adjustment range from 5/8" to 1/2".

If your doors have a smaller overlay, make a 5/16" spacer block & put it under the mounting plate. If your doors are inset, make a 5/8" spacer block and put it under the mounting plate.





Imported by / Importé Workshop Supply Inc, Embro ON N0J 1J0  
[www.BlackJackCompany.com](http://www.BlackJackCompany.com) 1-800-387-5716  
[info@blackjackcompany.com](mailto:info@blackjackcompany.com) Fax 1-800-561-3045

© BlackJack 2011